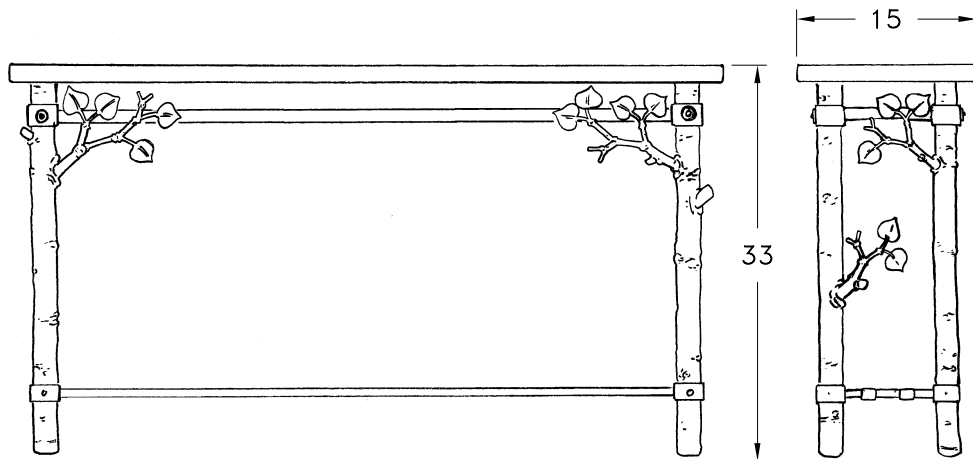
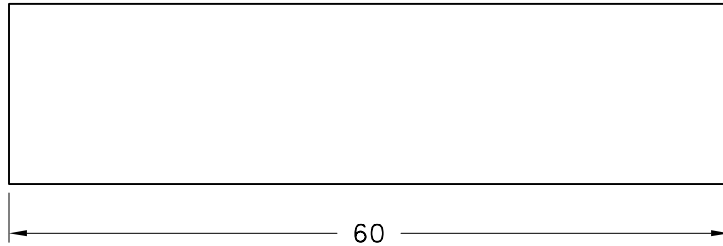


HAMMERTON



MOUNTING SPECIFICATION NOTES:

ELECTRICAL SPECIFICATION NOTES:

Light Bulb NOT Included

CATALOG # TB7082-AS

APPROXIMATE WEIGHT: 69 Lbs.

HARDWARE PACKET: N/A

SHADE MATERIAL : N/A

UL RATING: N/A

DIMENSION TOLERANCE $\pm 7/8"$.

www.hammerton.com

© Copyright 2006, All rights in design, detail or invention of this drawing are reserved as the property of Hammerton. Any imitation or adaptation without written consent is strictly prohibited.