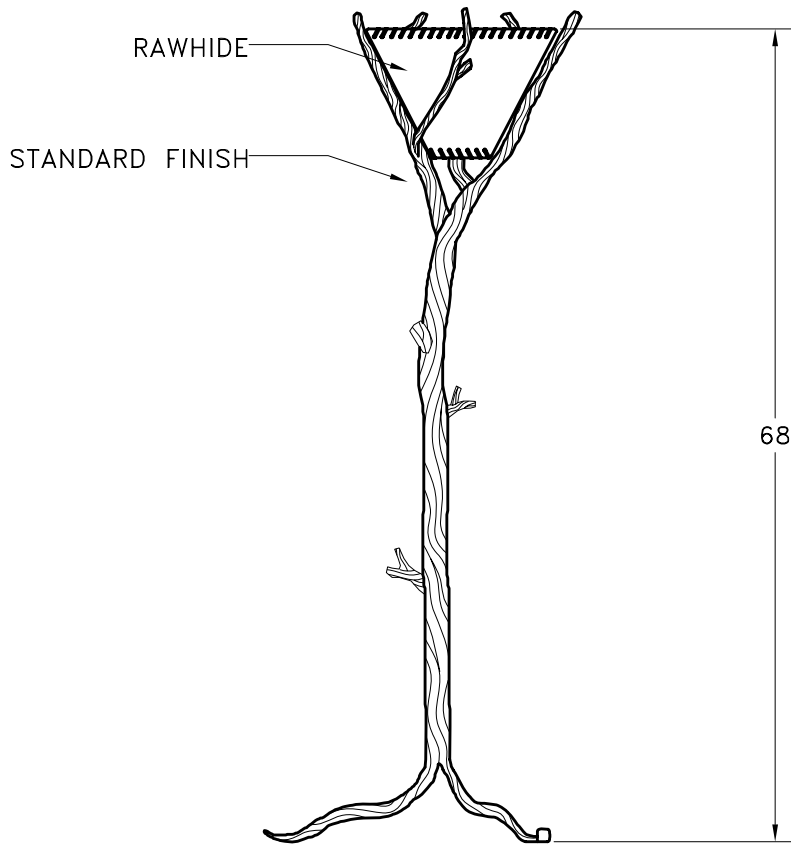
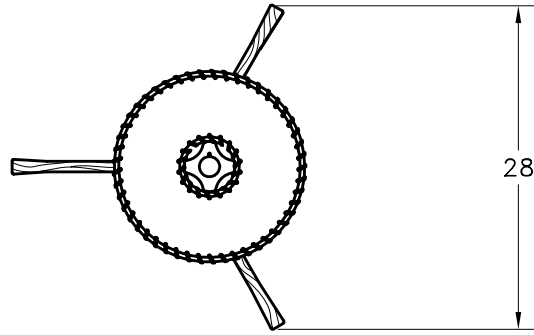


HAMMERTON



MOUNTING SPECIFICATION NOTES:

ELECTRICAL SPECIFICATION NOTES:



**ELECTRICAL: 1-100 WATT MAX
EDISON BASE
120v TYPICAL**

Light Bulb NOT Included

CATALOG # FL7008-BC

APPROXIMATE WEIGHT: 28 Lbs.

HARDWARE PACKET: N/A

SHADE MATERIAL : RAWHIDE

UL RATING: N/A

DIMENSION TOLERANCE $\pm 7/8"$.

www.hammerton.com

© Copyright 2006, All rights in design, detail or invention of this drawing are reserved as the property of Hammerton. Any imitation or adaptation without written consent is strictly prohibited.