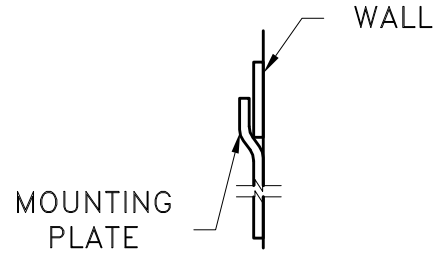
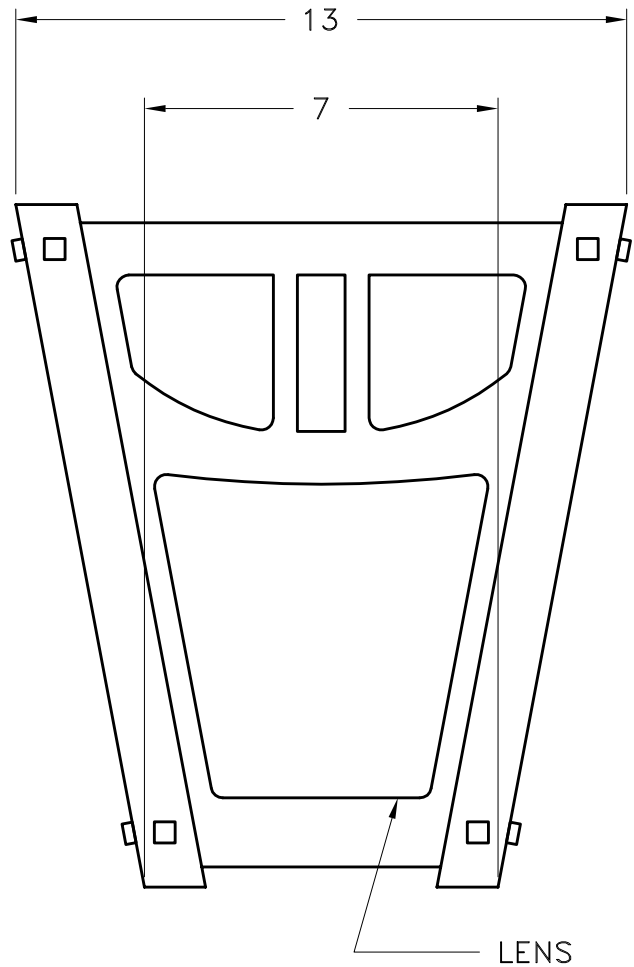
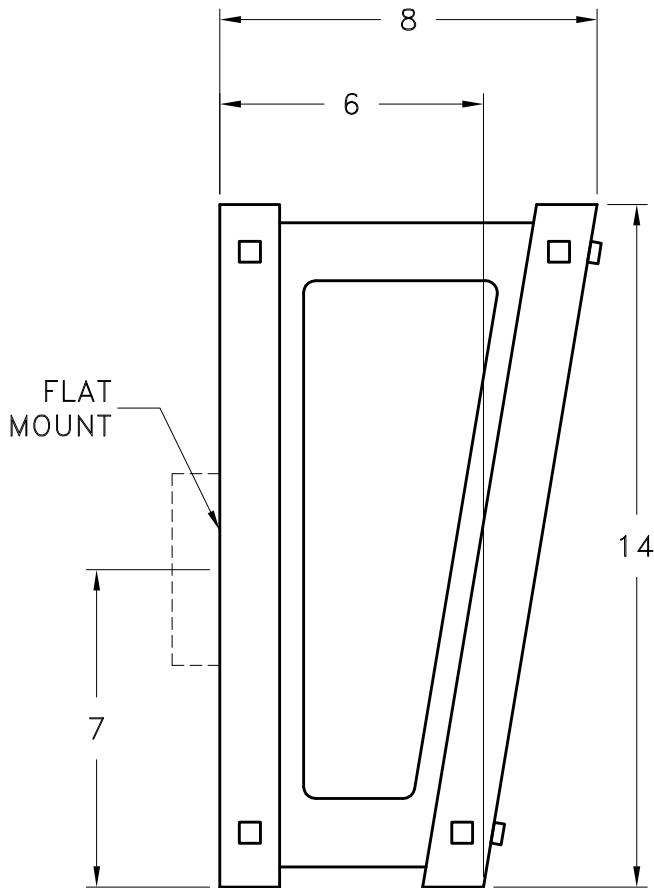


Location:

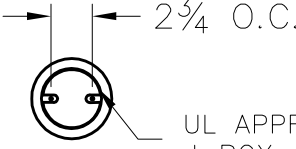
Product #: CS8027



MOUNTING



Visit [hammerton.com](http://hammerton.com) for product options and specifications.

|                                                                                                                                                                                                                                                                                                                                                                                                             |                               |                                                                                                                                                                                                                                                               |
|-------------------------------------------------------------------------------------------------------------------------------------------------------------------------------------------------------------------------------------------------------------------------------------------------------------------------------------------------------------------------------------------------------------|-------------------------------|---------------------------------------------------------------------------------------------------------------------------------------------------------------------------------------------------------------------------------------------------------------|
| Mounting Style: E                                                                                                                                                                                                                                                                                                                                                                                           | Electrical Type: INCANDESCENT | <p>Mounting Detail</p>  <p>2 <sup>3</sup>/<sub>4</sub> O.C.</p> <p>UL APPROVED J-BOX</p> <p><b>CAUTION</b><br/>HARDWARE PACKET "E"<br/>MOUNTS DIRECTLY TO<br/>J-BOX.</p> |
| Approximate lbs.: 15                                                                                                                                                                                                                                                                                                                                                                                        | Bulb Qty: 2    Wattage: 75    |                                                                                                                                                                                                                                                               |
| Finish: SEE WEB SITE FOR OPTIONS                                                                                                                                                                                                                                                                                                                                                                            | Voltage: 120                  |                                                                                                                                                                                                                                                               |
| Top Diffuser: OPEN                                                                                                                                                                                                                                                                                                                                                                                          | Socket Type: MEDIUM           |                                                                                                                                                                                                                                                               |
| Bottom Diffuser: SAME AS LENS                                                                                                                                                                                                                                                                                                                                                                               | UL Location: DRY              |                                                                                                                                                                                                                                                               |
| <p>All fixtures created by Hammerton are handcrafted by artisans. Dimensions may vary up to 1/8".</p> <p>© Copyright 2013. All rights in design, detail or invention of this drawing are reserved as the property of Hammerton. Any imitation or adaptation without written consent is strictly prohibited.</p> <p>Hammerton Inc. • 217 Wright Brothers Dr. • Salt Lake City, UT 84116 • (801) 973-8095</p> |                               |                                                                                                                                                                                                                                                               |