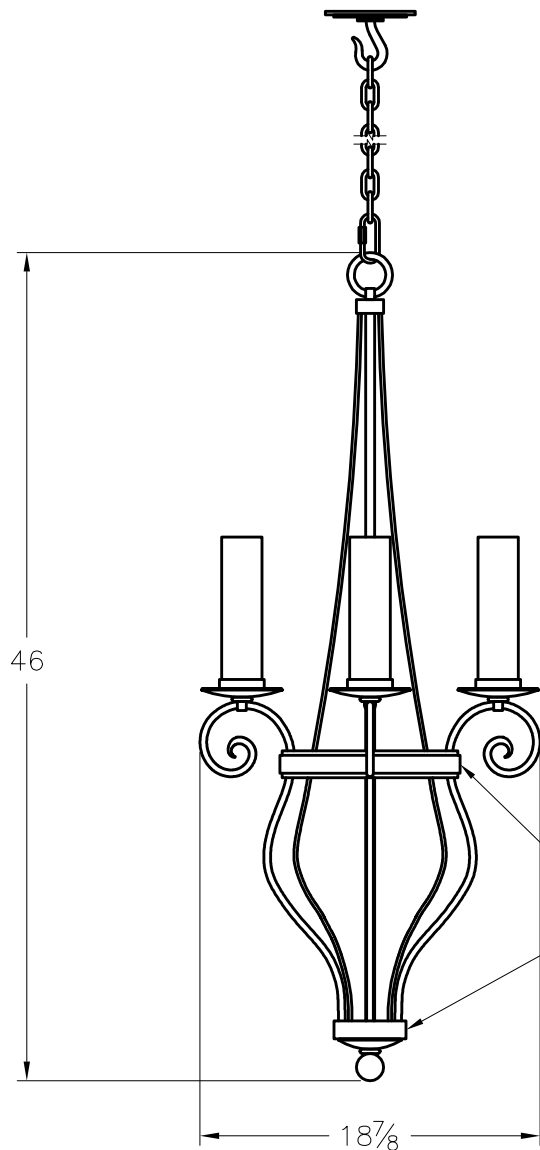


HAMMERTON



2³/₄ O.C.

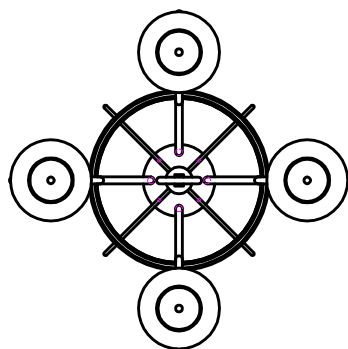


UL APPROVED
J-BOX

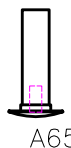
CAUTION

HARDWARE PACKET "J" MOUNTS
DIRECTLY TO J-BOX.

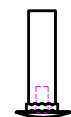
MA030 MOTIF
OPTION LOCATION



DRAWN WITH A65
PRODUCT ALSO AVAILABLE WITH THESE
ADDITIONAL SHADES-



A65



A60



F15

UL Requirements:

- Dry Location: Indoor use only
- Damp Location: limited outdoor use
- The following fixtures will **NOT** mount to a j-box;
- Ceiling mounts that weigh 50lbs. or more
- Wall mounts that weigh 25lbs. or more
- See information page for more details
- Electrical will be typical 120 volts.
- Dimension tolerances are ±7/8".

© Copyright 2007, All rights in design, detail or invention of this drawing are reserved as the property of Hammerton. Any imitation or adaptation without written consent is strictly prohibited.

Approved By:

Date:

Location:

Custom Mount

Yes

No

Mounting: J

Shade Material:

Approx. lbs.:30

Shade Color:

Electrical:4-40 WATT

Chain Length:

UL Rating

Wet

Damp

Dry

Date: 9-8-2010

Design # CH9228