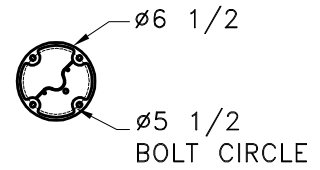
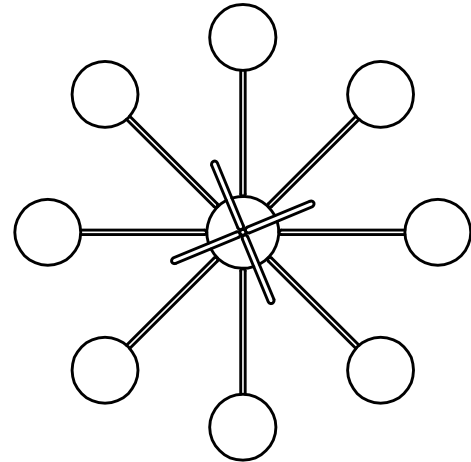
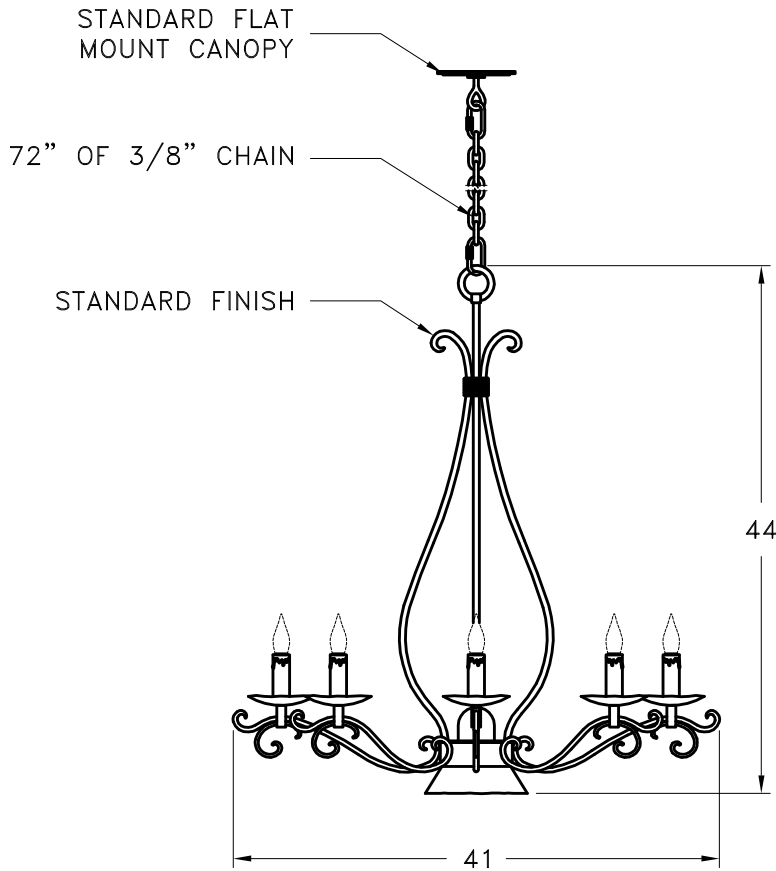


# HAMMERTON

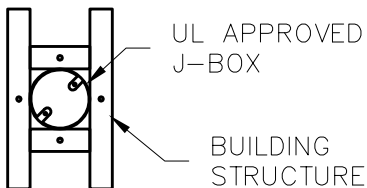


MOUNTING DETAIL



TOP VIEW

MOUNTING SPECIFICATION NOTES:



**CAUTION**  
HARDWARE PACKET "A"  
MOUNTS DIRECTLY TO  
BUILDING STRUCTURE.

ELECTRICAL SPECIFICATION NOTES:



**ELECTRICAL:**  
8 - 40 WATT MAX  
CANDELABRA BASE  
120v TYPICAL



**ELECTRICAL:**  
1 - 60 WATT MAX  
EDISON BASE  
120v TYPICAL

Light Bulb NOT Included

CATALOG # CH9208

APPROXIMATE WEIGHT: 170 Lbs.

HARDWARE PACKET: A

SHADE MATERIAL : N/A

UL RATING: DRY

DIMENSION TOLERANCE  $\pm 7/8"$ .

www.hammerton.com

© Copyright 2006, All rights in design, detail or invention of this drawing are reserved as the property of Hammerton. Any imitation or adaptation without written consent is strictly prohibited.