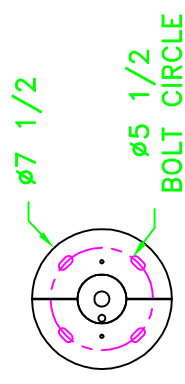
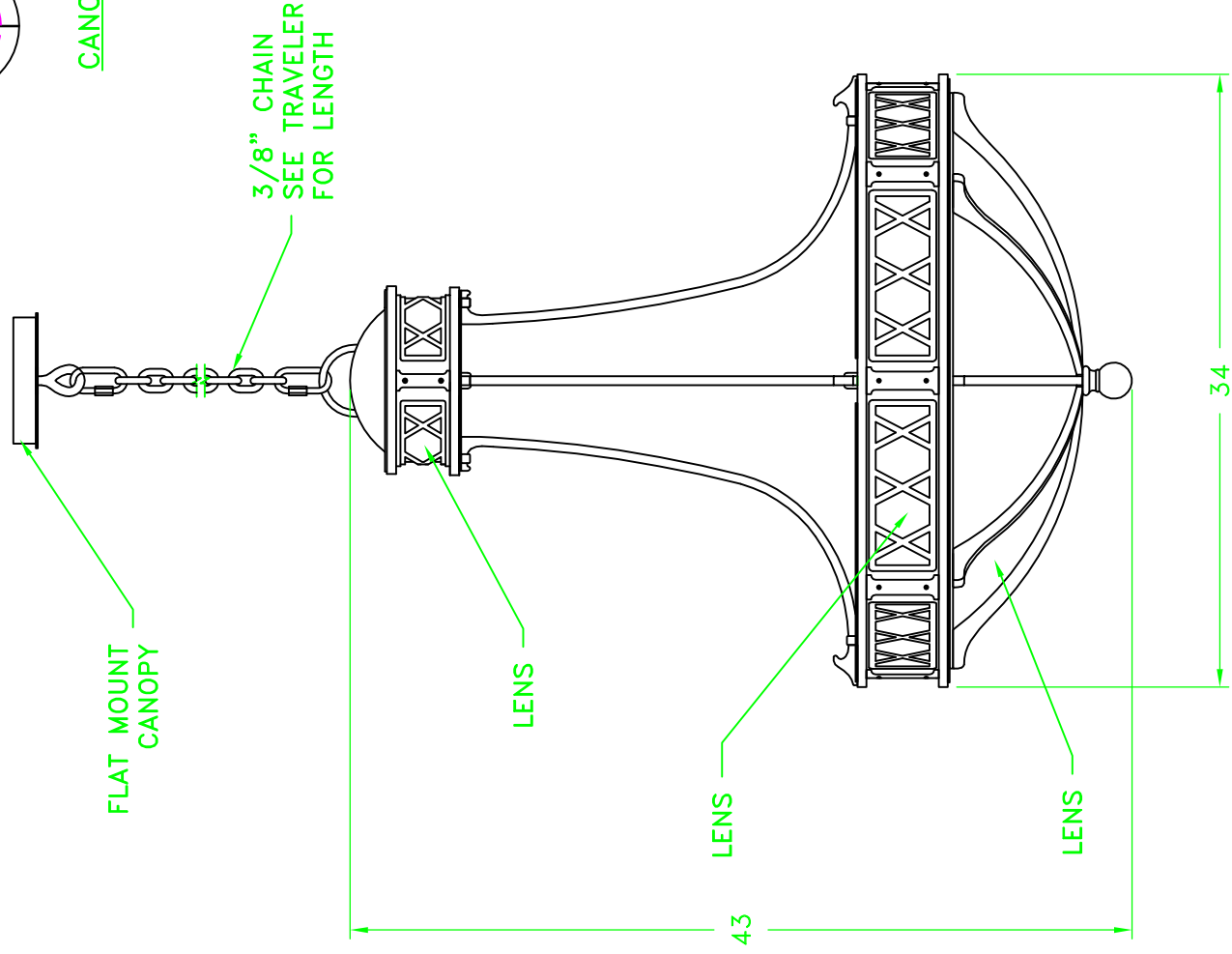


Location:

Product #: CH9066



CANOPY



FLAT MOUNT  
CANOPY

3/8" CHAIN  
SEE TRAVELER  
FOR LENGTH

LENS

LENS

LENS

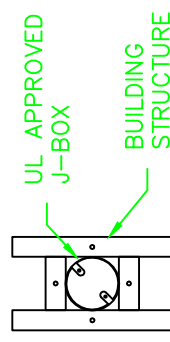
43

34

Visit [hammertron.com](http://hammertron.com) for product options and specifications.

Mounting Style:	FLAT MOUNT	Electrical Type:	INCANDESCENT	Mounting Detail
Approximate lbs.:	150	Bulb Qty:	6	Wattage: 75
Finish:	SEE WEB SITE FOR OPTIONS			
Top Diffuser:	FINE MESH	Voltage:	120	
Bottom Diffuser:	N/A	Socket Type:	MEDIUM	
		UL Location:	DRY	

All fixtures created by Hammerton are handcrafted by artisans. Dimensions may vary up to 1/8".  
 ©Copyright 2013. All rights in design, detail or invention of this drawing are reserved as the property of Hammerton. Any limitation or adaptation without written consent is strictly prohibited.  
 Hammerton Inc. · 217 Wright Brothers Dr. · Salt Lake City, UT 84116 · (801) 973-8095



CAUTION

HARDWARE PACKET "A"  
MOUNTS DIRECTLY TO  
BUILDING STRUCTURE.